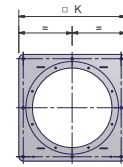
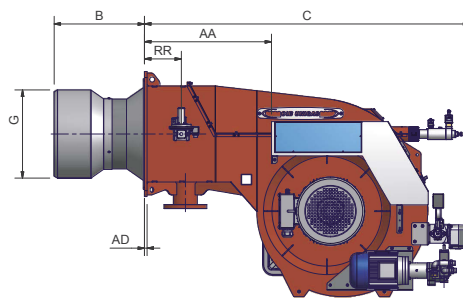
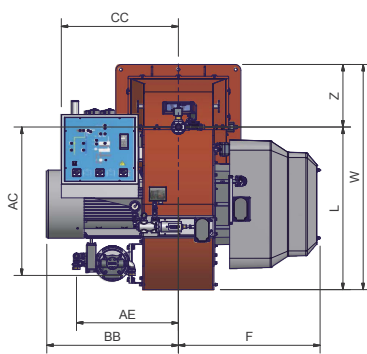
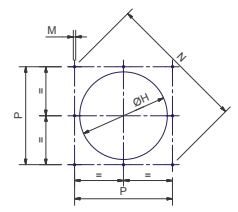


TECHNICAL DETAILS

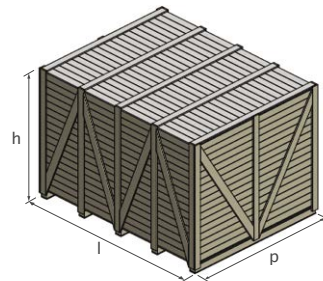
Type	Model	Output kW		Auxiliary electrical power supply	Motor electrical power supply	Fan motor kW	Pump motor kW	Noise level dBA
		min.	max.					
RG2050	G-.xx.x.xx.A	2.500	15.200	230 V 1N AC 50 Hz	400 V 3 AC 50 Hz	37	5,5	92,5
RG2060	G-.xx.x.xx.A	2.500	16.000	230 V 1N AC 50 Hz	400 V 3 AC 50 Hz	45	5,5	91,7
RG2080	G-.xx.x.xx.A	2.500	19.000	230 V 1N AC 50 Hz	400 V 3 AC 50 Hz	55	5,5	91,7



Burner flange



Suggested boiler drilling



Type	Packaging dimensions (mm)			
	l	p	h	kg
RG2050	2396	1886	1969	1290
RG2060	2396	1886	1969	1370
RG2080	2396	1886	1969	1470

Approximate values

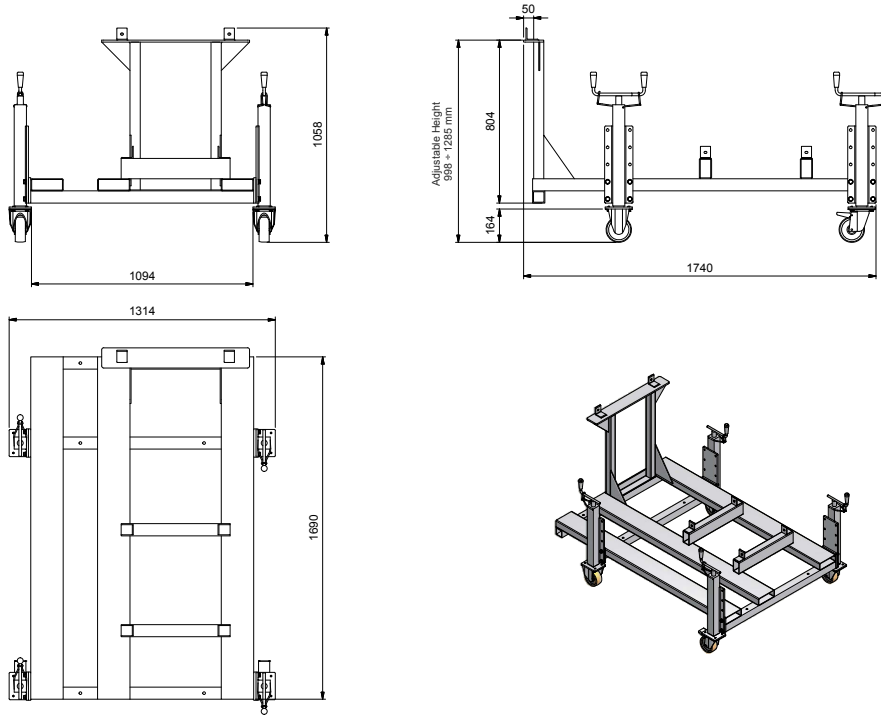
Type	Model	Overall dimensions (mm)																		
		AA	AC	AD	AE	B	BB	C	CC	F	G	H	K	L	M	N	P	RR	W	Z
RG2050	G-.xx.x.xx.A	741	866	15	595	*	768	1898	735	827	*	*	730	949	M16	948	670	215	1314	365
RG2060	G-.xx.x.xx.A	741	866	15	645	*	807	1890	735	846	*	*	850	949	M16	1117	790	215	1374	425
RG2080	G-.xx.x.xx.A	741	866	15	645	*	885	1890	735	846	*	*	850	949	M16	1117	790	215	1374	425

* The B, G, H dimensions must be confirmed from our technical DPT.

Approximate values

Monoblock burners 2000 series are supplied complete with a steel supporting frame; burner installation and manutention are greatly simplified. The frame is equipped with wheels to easily move the burner, and its height is adjustable to match any type of boiler or furnace.

SUPPORTING FRAME FOR BURNERS 2050 SERIES



SUPPORTING FRAME FOR BURNERS 2060/2080 SERIES

