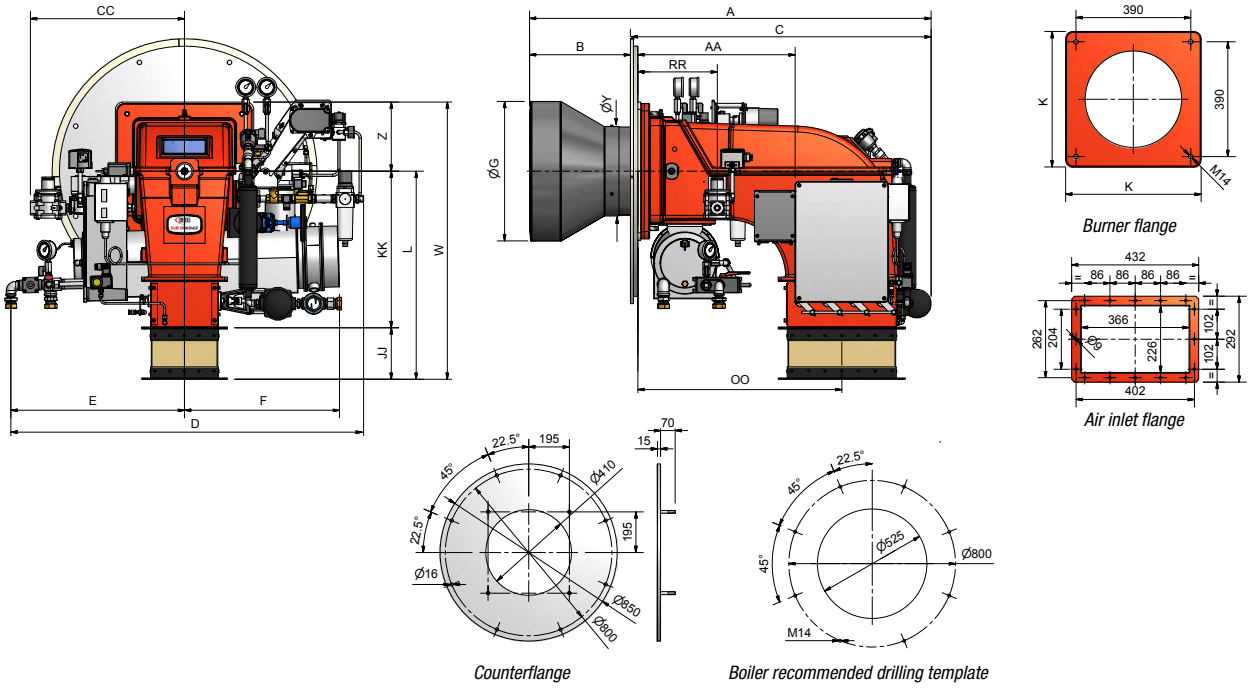


OVERALL DIMENSIONS



Type	Overall dimensions (mm)																			
	A	AA	B	C	CC	D	E	F	G	H	JJ	K	KK	L	M	OO	RR	W	Y	Z
TPBY510	1361	535	364	997	524	1250	590	527	387	427	175	460	532	707	M14	686	270	942	308	235
TPBY515	1365	535	368	997	524	1250	590	527	474	524	175	460	532	707	M14	686	270	942	308	235
TPBY520	1365	535	368	997	524	1250	590	527	474	524	175	460	532	707	M14	686	270	942	308	235
TPBY525	1365	535	368	997	524	1250	590	527	474	524	175	460	532	707	M14	686	270	942	308	235